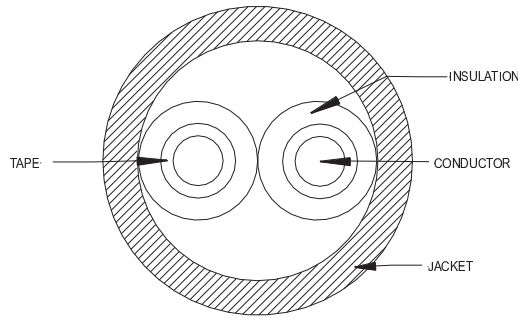


VITALink®

18 AWG Solid 2/C Non-Shielded Circuit Integrity Cable



1. Construction:

- 1.1. Conductors: 18 AWG (0.82 mm²) Solid Bare Copper, 0.0403" (1.02 mm) Nominal Diameter
- 1.2. Tape: Flame Retardant Tape
- 1.3. Insulation: Low Smoke Zero Halogen Thermoset Fire-Roc® 0.118" (3 mm) Nominal Diameter & 0.029" (0.73 mm) Nominal Wall Thickness
- 1.4. Color Code: Red, Black
- 1.5. Assembly: Cable (2) Conductors 4.00" (101 mm) Nominal LHL
- 1.6. Jacket: Non Halogen Flame Retardant Polyolefin Compound, Nominal Overall Diameter 0.305" (7.74 mm), Nominal Wall Thickness 0.034" (0.86 mm)
Color: RED

1.7. Jacket Print:

COMTRAN LSZH VITALink® FPLR-CI-LS CMR-CI-LS CL3R-CI-LS 2/C 18AWG 105C SUN RES WET FRR-2HR FOR USE IN FHIT SYSTEM 40A & FHIT7 SYSTEM 40A MAX VOLTAGE 72V ULC-S139 W/HOSE STREAM OR CSA FAS105 LL14444 PN36337 (MMYY) 000002 (01-12345)

NOTE: MMY is 4 Digit Month/Year
Sequential Footage Markings Every Two Feet

2. Compliance:

- 2.1. (UL) Listed Type FPLR-CI-LS
- 2.2. (UL) Listed Type CMR-CI-LS
- 2.3. (UL) Listed CL3R-CI-LS
- 2.4. CSA Listed FAS 105
- 2.5. UL Subject 1424 Power Limited Fire Alarm Circuits; 300V/105°C Classified
- 2.6. UL Subject 13 Power Limited Circuit Cables; 300V/105°C Classified
- 2.7. UL Subject 444 Communications Cable; 300V/105°C Classified
- 2.8. ANSI/UL 2196 2-Hour Fire Rating for use in FHIT System 40A
- 2.9. CAN/ULC-S139 2-Hour Fire Rating with Hose Stream for use in FHIT7 System 40A
- 2.10. NFPA 70 & 72
- 2.11. NFPA 130
- 2.12. NFPA 502
- 2.13. California State Fire Marshal Approved
- 2.14. NYC Electrical Advisory Board #54502, April 2017
- 2.15. RoHS Compliant

3. Physical Characteristics:



- 3.1. Nominal Conductor DCR @ 68F (20 °C): 6.51 Ω / 1000 Ft.
- 3.2. Nominal Weight per 1000 FT: 41 Lbs. (18.5 kg)
- 3.3. Min Bend Radius: 2" (50.8 mm)
- 3.4. Maximum Pull Tension – Straight runs: 26 Lbs. /ft. (11.7 kg/Ft.)

TITLE:		DESCRIPTION:		COMTRAN		COMTRAN <small>Innovative Systems. Engineered Solutions.</small>	
DS36337		18 AWG Stranded 2 Conductor VITALink® Non-shielded Circuit Integrity Cable		330A Turner Street South Attleboro, MA 02703 Phone: 508-399-7004 Fax: 508-399-8839		<small>A Marmon Wire & Cable/Berkshire Hathaway Company</small>	
Rev	Date	Detail	Eng.	App.			
09	02/27/19	Add regulatory approvals	PB	WC			
08	01/29/19	Change logo and basic corrections	SM	WC			
07	10/31/18	Add LL# to print	PB	WC			ECN 18-118
06	05/24/18	FAS 90 to 105	PB	WC			ECN 18-067
05	10/05/17	Updated Legend	PB	RN			
04	06/06/17	Amend print; change to DS spec	PB	RN			
03	05/10/17	Change to print legend and compliance section	PB	RN			
02	08/16/16	Finalize Print	PB	RN			
01	08/01/16	First Release	PB	RN			

Comtran reserves the right to change the information above without prior notification. Comtran assumes no risk, and is not liable for direct or indirect, or consequential damages, resulting from the use of this document

VITALink®

18 AWG Solid 2/C Non-Shielded Circuit Integrity Cable

TITLE:		DESCRIPTION:		COMTRAN 330A Turner Street South Attleboro, MA 02703 Phone: 508-399-7004 Fax: 508-399-8839		 COMTRAN Innovative Systems. Engineered Solutions.  A Marmon Wire & Cable/Berkshire Hathaway Company
DS36337		18 AWG Stranded 2 Conductor VITALink® Non-shielded Circuit Integrity Cable				
Rev	Date	Detail	Eng.	App.		
09	02/27/19	Add regulatory approvals	PB	WC		
08	01/29/19	Change logo and basic corrections	SM	WC		
07	10/31/18	Add LL# to print	PB	WC		ECN 18-118
06	05/24/18	FAS 90 to 105	PB	WC		ECN 18-067
05	10/05/17	Updated Legend	PB	RN		
04	06/06/17	Amend print; change to DS spec	PB	RN		
03	05/10/17	Change to print legend and compliance section	PB	RN		
02	08/16/16	Finalize Print	PB	RN		
01	08/01/16	First Release	PB	RN		

Comtran reserves the right to change the information above without prior notification. Comtran assumes no risk, and is not liable for direct or indirect, or consequential damages, resulting from the use of this document