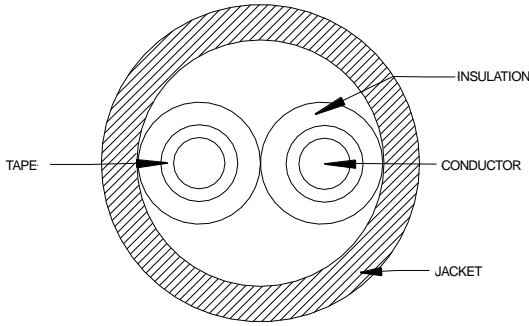


VITALink®

12 AWG Solid 2/C Non-Shielded Circuit Integrity Cable



1. Construction:

- 1.1. Conductors: 12 AWG (3.30 mm²) Solid Bare Copper, 0.080" (0.16 mm) Nominal Diameter
- 1.2. Tape: Flame Retardant Tape
- 1.3. Insulation: Low Smoke Zero Halogen Thermoset Fire-Roc® Insulation 0.158" (4.01 mm) Nominal Diameter & 0.029" (0.73 mm) Nominal Wall Thickness
- 1.4. Color Code: Red, Black
- 1.5. Cable Assembly: Cable (2) Conductors at a 6.00" (152 mm) LHL
- 1.6. Jacket: Non-Halogen Flame Retardant Polyolefin Compound, Nominal Overall Diameter, 0.402" (10.2 mm), Nominal Wall Thickness 0.042" (1.06 mm) Color: RED

1.7. **Jacket Print:**
 COMTRAN LSZH VITALink® FPLR-CI-LS CL3R-CI-LS 2/C 12AWG 105C SUN RES WET FRR-2HR FOR USE IN FHIT SYSTEM 40A & FHIT7 SYSTEM 40A MAX VOLTAGE 72V ULC-S139 W/HOSE STREAM OR CSA FAS105 LL14444 PN36342 (MMYY) 000002 (01-12345)

NOTE: MMY is 4 Digit Month/Year
 Sequential Footage Markings Every Two Feet

2. Compliance:

- 2.1. (UL) Listed Type FPLR-CI-LS
- 2.2. (UL) Listed CL3R-CI-LS
- 2.3. CSA Listed FAS 105
- 2.4. UL Subject 1424 Power Limited Fire Alarm Circuits; 300V/105°C Classified
- 2.5. UL Subject 13 Power Limited Circuit Cables; 300V/105°C Classified
- 2.6. ANSI/UL 2196 2-Hour Fire Rating for use in FHIT System 40A
- 2.7. CAN/ULC-S139 2-Hour Fire Rating with Hose Stream for use in FHIT7 System 40A
- 2.8. NFPA 70 & 72
- 2.9. NFPA 130
- 2.10. NFPA 502
- 2.11. California State Fire Marshal Approved
- 2.12. NYC Electrical Advisory Board #54502, April 2017
- 2.13. RoHS Compliant



3. Physical Characteristics:

- 3.1. Nominal Conductor DCR @ 68F (20 °C): 1.61Ω / 1000Ft.
- 3.2. Nominal Weight per 1000 FT: 90 Lbs. (40.8 kg)
- 3.3. Min Bend Radius: 3" (76.2 mm)
- 3.4. Maximum Pull Tension – Straight runs: 104 Lbs. /Ft. (47.2 Kg/Ft.)
- 3.5. Passes Cold Bend Test @ -20C

TITLE:		DESCRIPTION:			COMTRAN		COMTRAN Innovative Systems. Engineered Solutions.	
DS36342		12 AWG Solid 2 Conductor VITALink® Non-shielded Circuit Integrity Cable			330A Turner Street South Attleboro, MA 02703 Phone: 508-399-7004 Fax: 508-399-8839		A Marmon Wire & Cable/Berkshire Hathaway Company	
Rev	Date	Detail	Eng.	App.				
06	02/27/19	Add regulatory approvals	PB	WC				
05	01/29/19	Change logo and basic corrections	SM	PB				
04	10/31/18	Add LL# to print	PB	WC	ECN 18-118			
03	05/24/18	FAS 90 to 105	PB	WC	ECN 18-067			
02	11/21/17	Update print legend	PB	RN				
01	07/13/17	Initial Design	PB	RN				

Comtran reserves the right to change the information above without prior notification. Comtran assumes no risk, and is not liable for direct or indirect, or consequential damages, resulting from the use of this document

VITALink®
12 AWG Solid 2/C Non-Shielded Circuit Integrity Cable

TITLE:		DESCRIPTION:			COMTRAN 330A Turner Street South Attleboro, MA 02703 Phone: 508-399-7004 Fax: 508-399-8839		 COMTRAN <small>Innovative Systems. Engineered Solutions.</small>  <small>A Marmon Wire & Cable/Berkshire Hathaway Company</small>	
DS36342		12 AWG Solid 2 Conductor VITALink® Non-shielded Circuit Integrity Cable						
Rev	Date	Detail	Eng.	App.				
06	02/27/19	Add regulatory approvals	PB	WC				
05	01/29/19	Change logo and basic corrections	SM	PB				
04	10/31/18	Add LL# to print	PB	WC	ECN 18-118			
03	05/24/18	FAS 90 to 105	PB	WC	ECN 18-067			
02	11/21/17	Update print legend	PB	RN				
01	07/13/17	Initial Design	PB	RN				

Comtran reserves the right to change the information above without prior notification. Comtran assumes no risk, and is not liable for direct or indirect, or consequential damages, resulting from the use of this document